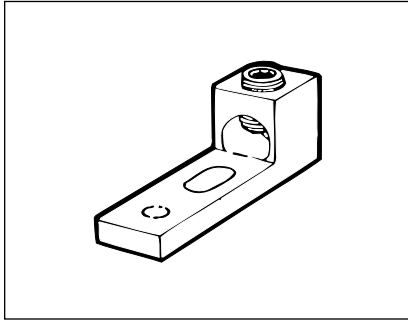


Dual-Rated Mechanical Connectors

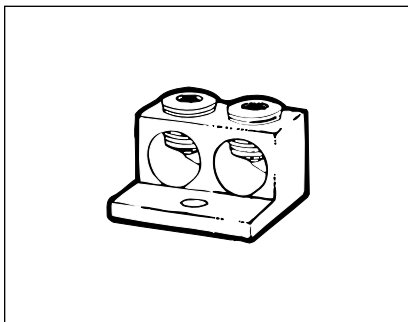
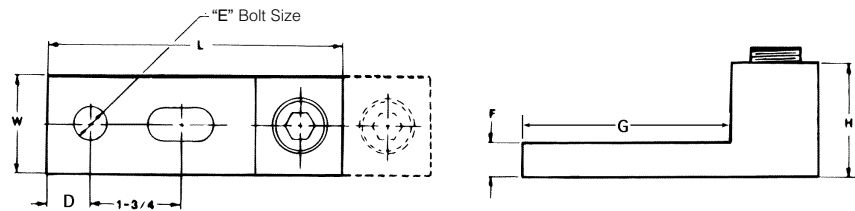
Type ADR—ALCÜL™ Single Conductor, Switchgear Mount*



Cat. No.	Conductor Range (AL or CU)		Dimensions (in.)						
	max.	min.	L	W	H	D	E	F	G
ADR25-12S	250 KCMIL	3/0 str.	3	1	1 ¹ / ₁₆	1/2	3/8	1/4	2
ADR35-12S	350 KCMIL	4 str.	4 ¹ / ₁₆	1 ¹ / ₄	1 ⁹ / ₁₆	23/32	1/2	7/16	3 ⁵ / ₁₆
ADR50-12S	500 KCMIL	400 KCMIL	4 ¹ / ₁₆	1 ¹ / ₄	1 ⁹ / ₁₆	23/32	1/2	7/16	3 ⁵ / ₁₆
ADR80-12DS	800 KCMIL	300 KCMIL	6 ³ / ₁₆	1 ⁵ / ₈	1 ⁷ / ₈	23/32	1/2	9/16	3 ⁷ / ₁₆
ADR99-12DS	1000 KCMIL	350 KCMIL	6 ³ / ₁₆	1 ⁵ / ₈	1 ⁷ / ₈	23/32	1/2	9/16	3 ⁷ / ₁₆

* NEMA Spacing: 1³/₄" centers except ADR25-12S: 1" centers.

Connectors accommodating conductors 600 KCMIL and larger have double row of set screws (D suffix).



Type ADR—ALCÜL™ Two Conductor, One-Hole Mount



Cat. No.	Conductor Range (AL or CU)		Dimensions (in.)							
	max.	min.	L	W	H	D	E	F	G	I
ADR11-21	1/0 str.	14 AWG	1 ¹⁵ / ₃₂	1 ¹ / ₃₂	2 ⁵ / ₃₂	7/16	1/4	3/16	2 ⁷ / ₃₂	3 ⁵ / ₆₄
ADR21-21*	2/0 str.	14 AWG	1 ¹⁵ / ₃₂	1 ¹ / ₄	2 ⁵ / ₃₂	2 ⁷ / ₆₄	1/4	3/16	2 ⁷ / ₃₂	2 ¹ / ₃₂
ADR25-21	250 KCMIL	6 str.	2 ⁹ / ₁₆	1 ⁴ / ₆₄	1 ³ / ₁₆	7/8	3/8	1/4	1 ⁹ / ₁₆	1 ³ / ₁₆
ADR35-21	350 KCMIL	6 str.	2 ⁷ / ₈	1 ⁵⁹ / ₆₄	1 ¹ / ₄	7/8	1/2	1/4	1 ³ / ₄	6 ¹ / ₆₄
ADR60-21	600 KCMIL	2 str.	3 ³ / ₁₆	2 ¹³ / ₃₂	1 ⁹ / ₁₆	5/8	1/2	7/16	1 ¹³ / ₁₆	1 ⁷ / ₃₂
ADR80-21	800 KCMIL	300 KCMIL	3 ³ / ₈	3 ³ / ₁₆	1 ¹⁵ / ₁₆	7/8	5/8	1/2	1 ³ / ₄	1 ⁵ / ₈
ADR99-21	1000 KCMIL	500 KCMIL	3 ³ / ₈	3 ³ / ₁₆	1 ¹⁵ / ₁₆	7/8	5/8	1/2	1 ³ / ₄	1 ⁵ / ₈

* Not CSA Listed.

U.L. 486B

AL9CU

